

TEAC

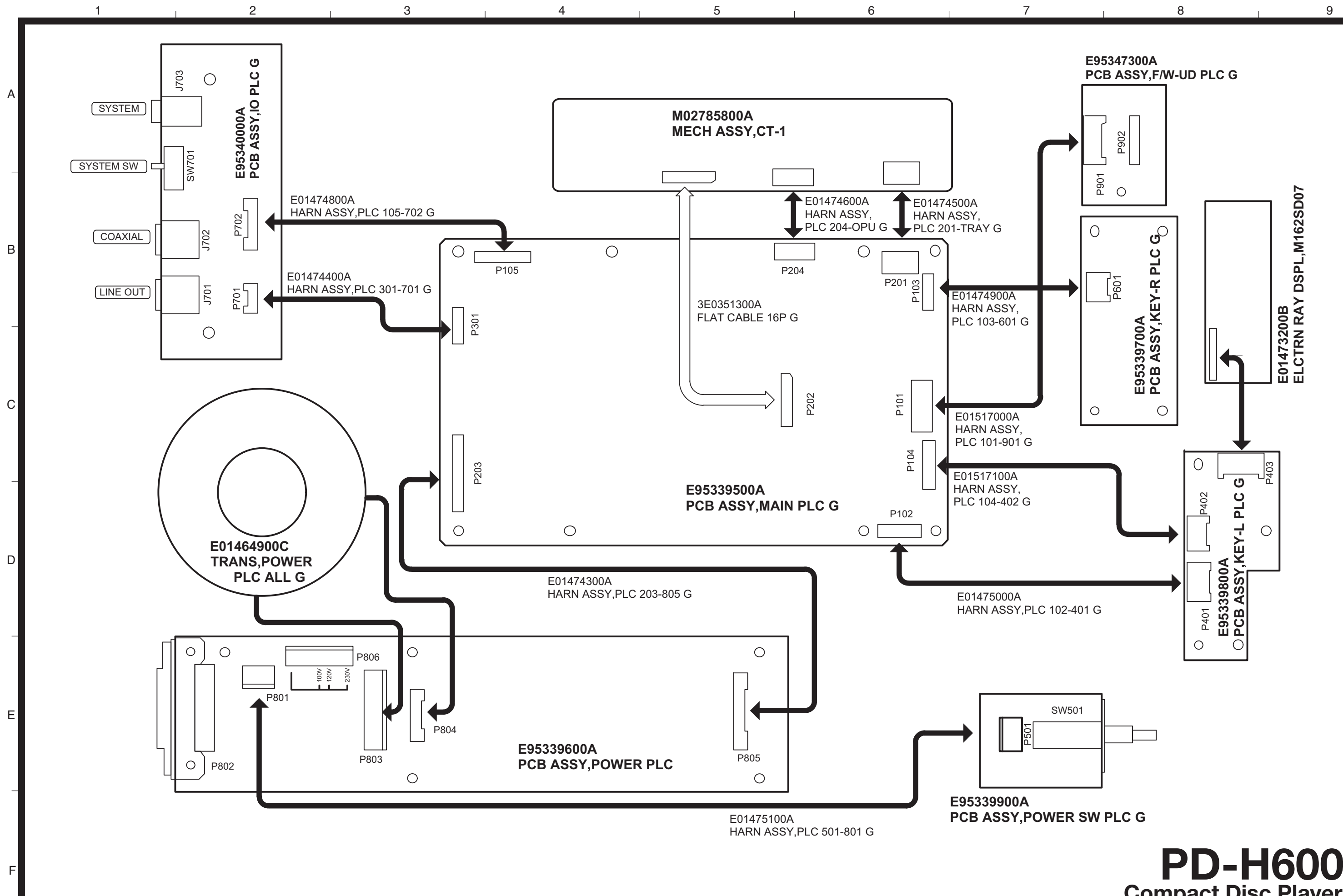
SCHEMATIC DIAGRAMS

CONTENTS

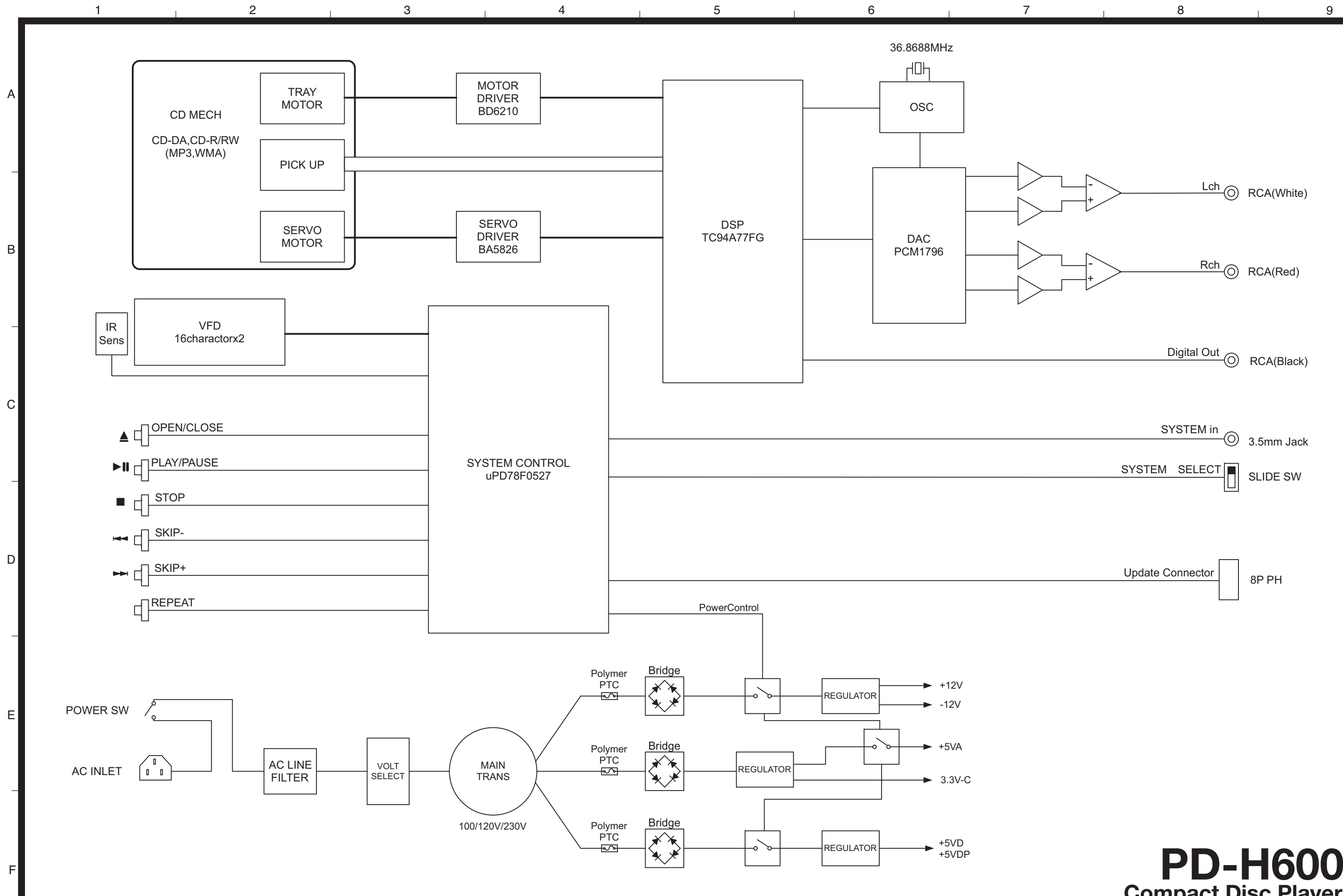
Wiring Diagram	2
Block Diagram	3
MAIN PCB (1/3) CPU	4
MAIN PCB (2/3) Power & Servo	5
MAIN PCB (3/3) Analog	6
POWER PCB	7
KEY_L PCB, KEY_R PCB, IO PCB, F/W-UD PCB, POWER SW PCB	8

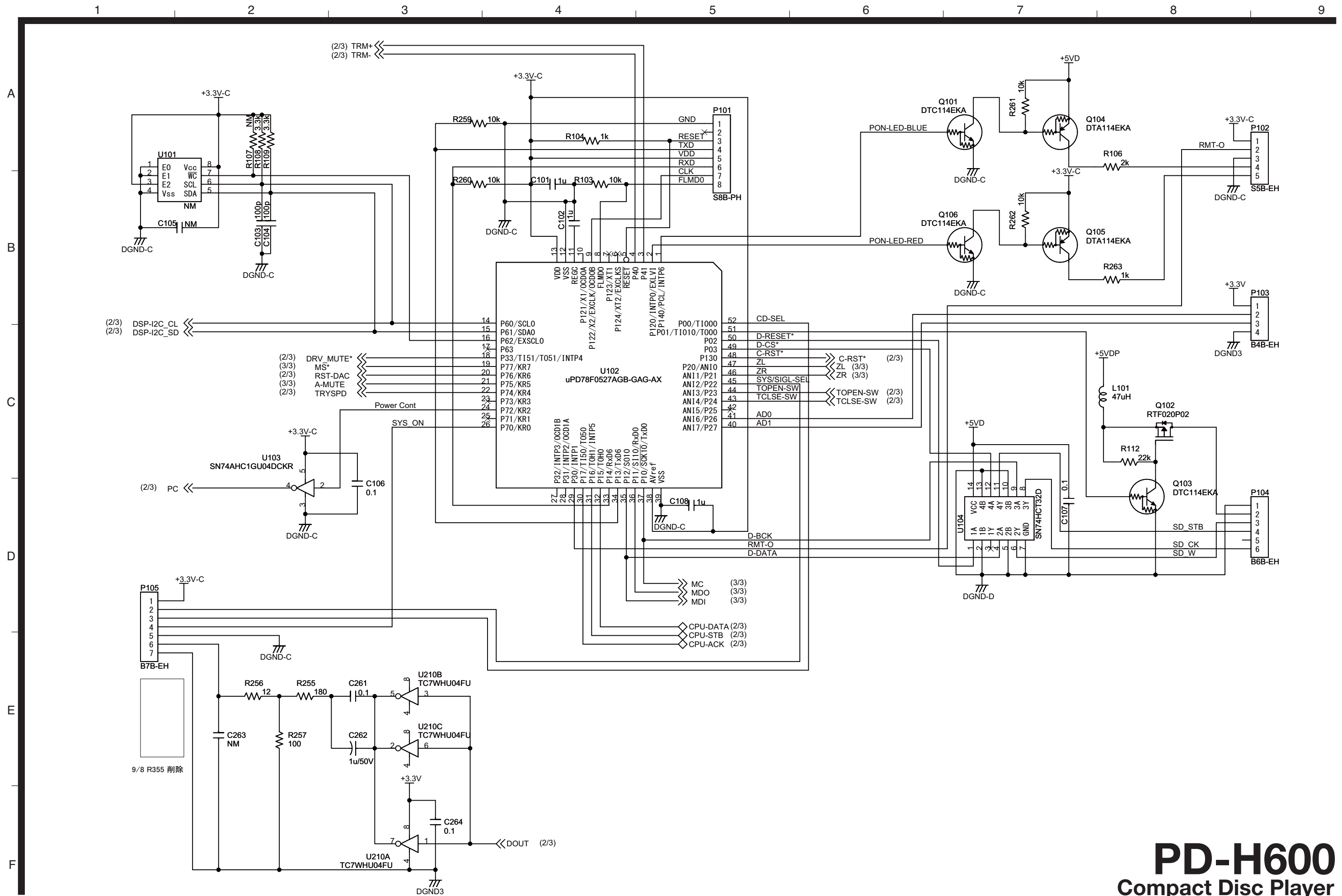
PD-H600
Compact Disc Player

1 st Issue; July 2009

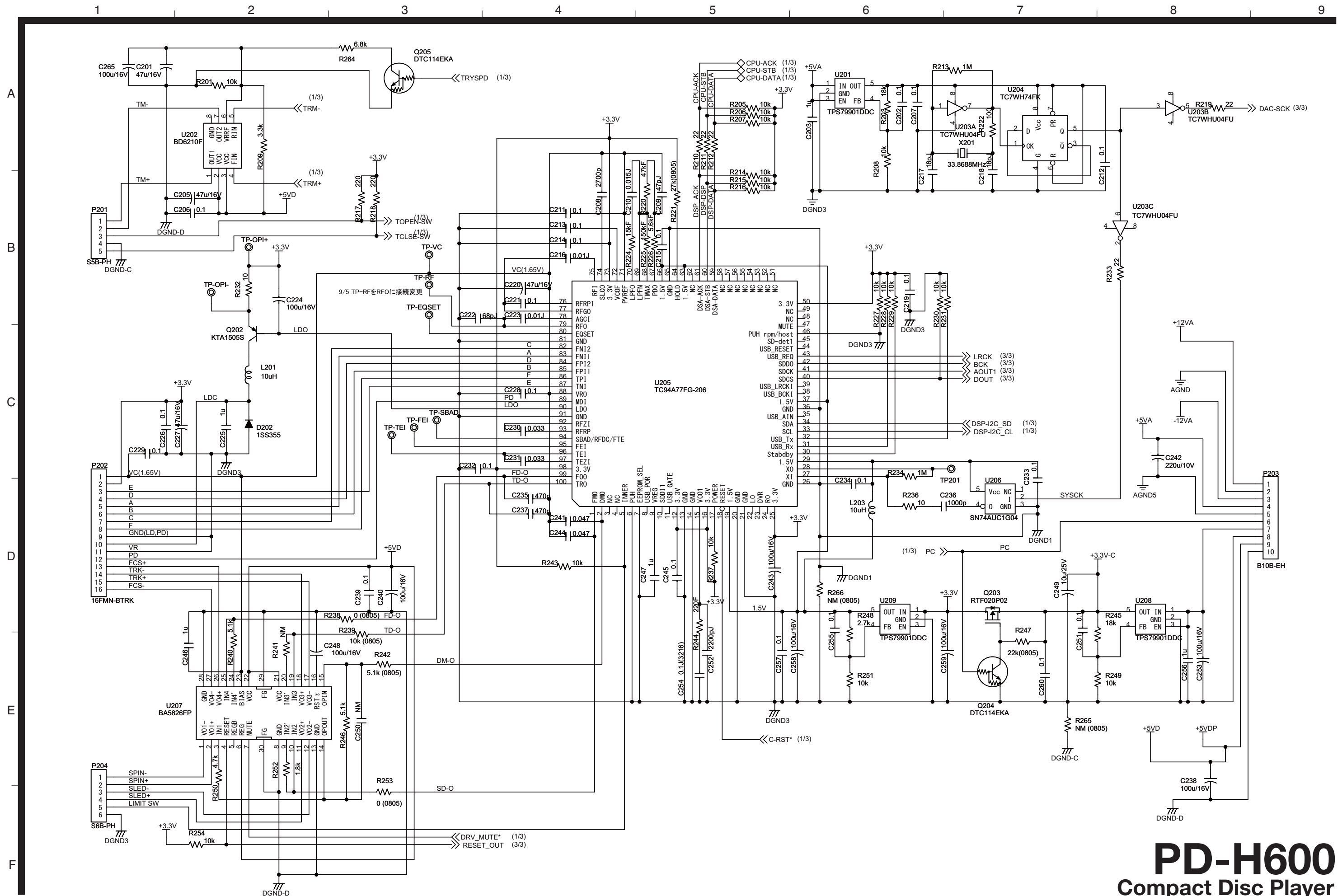


TEAC BLOCK DIAGRAM PD-H600

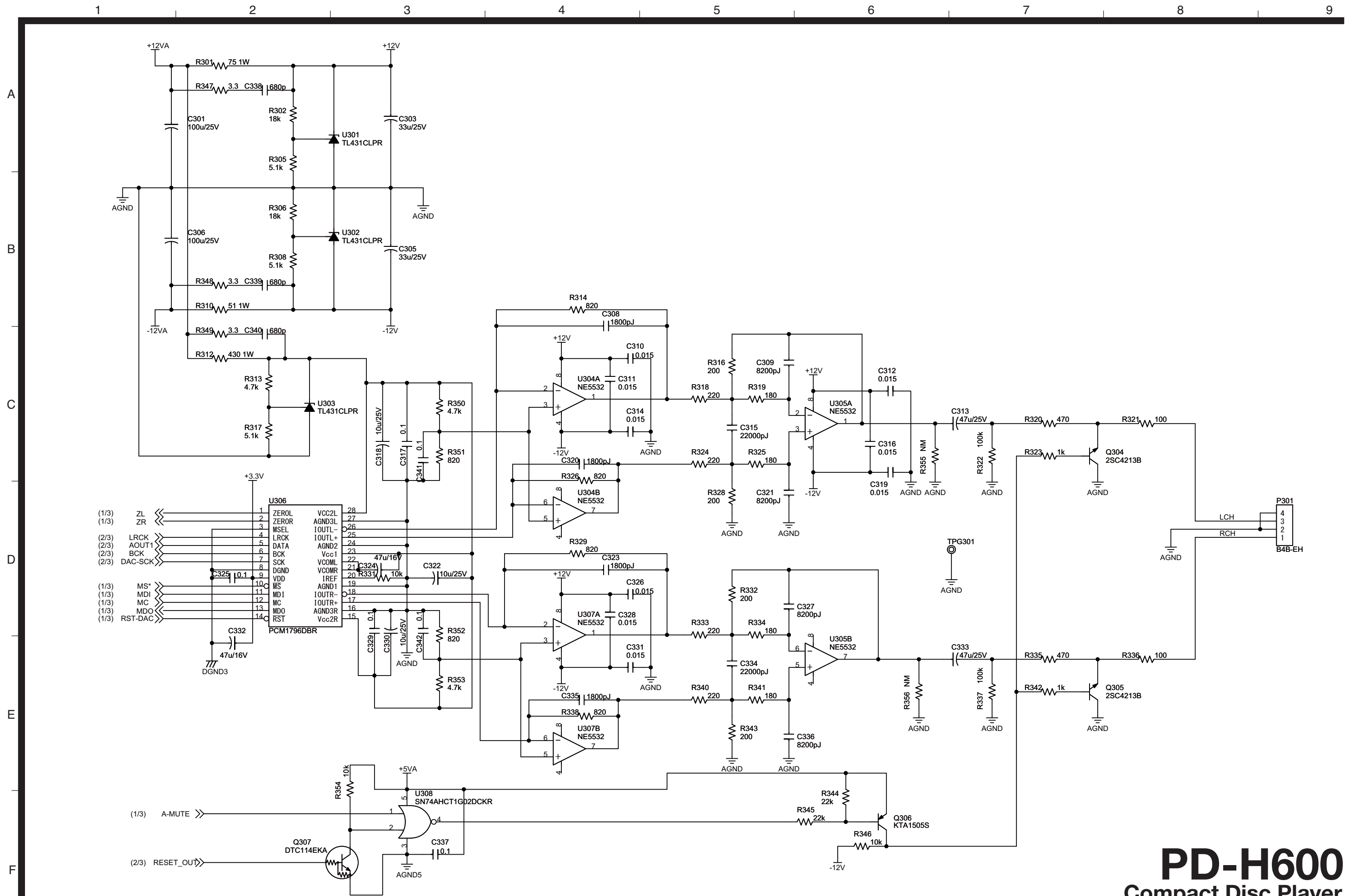


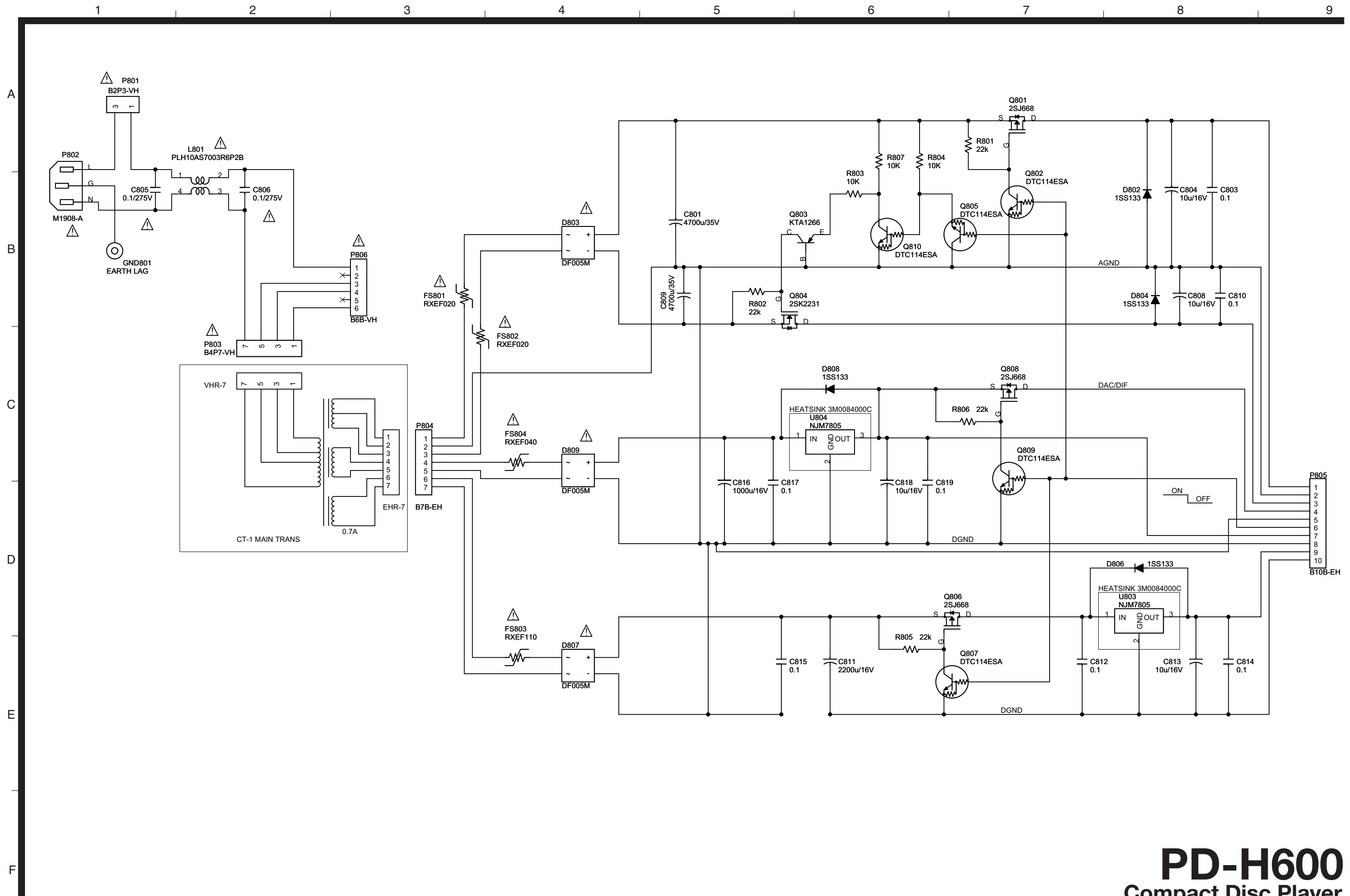


PD-H600
Compact Disc Player



PD-H600
Compact Disc Player

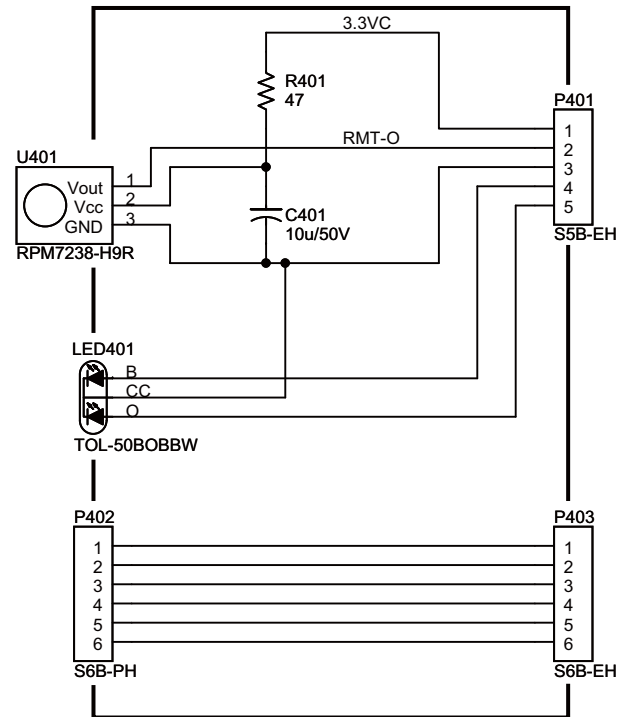




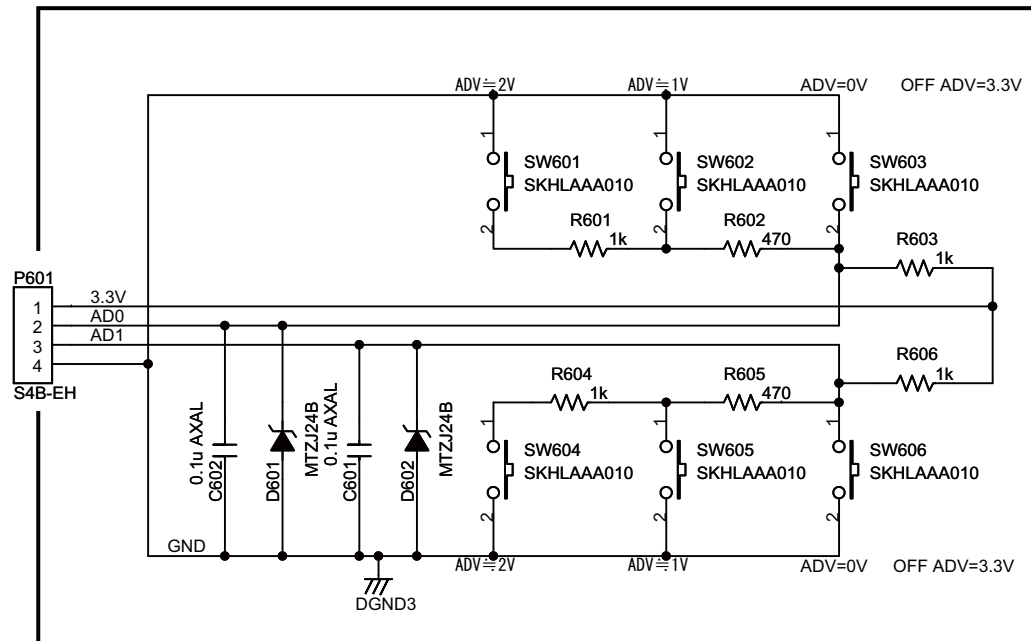
1 2 3 4 5 6 7 8 9

A
B
C
D
E
F

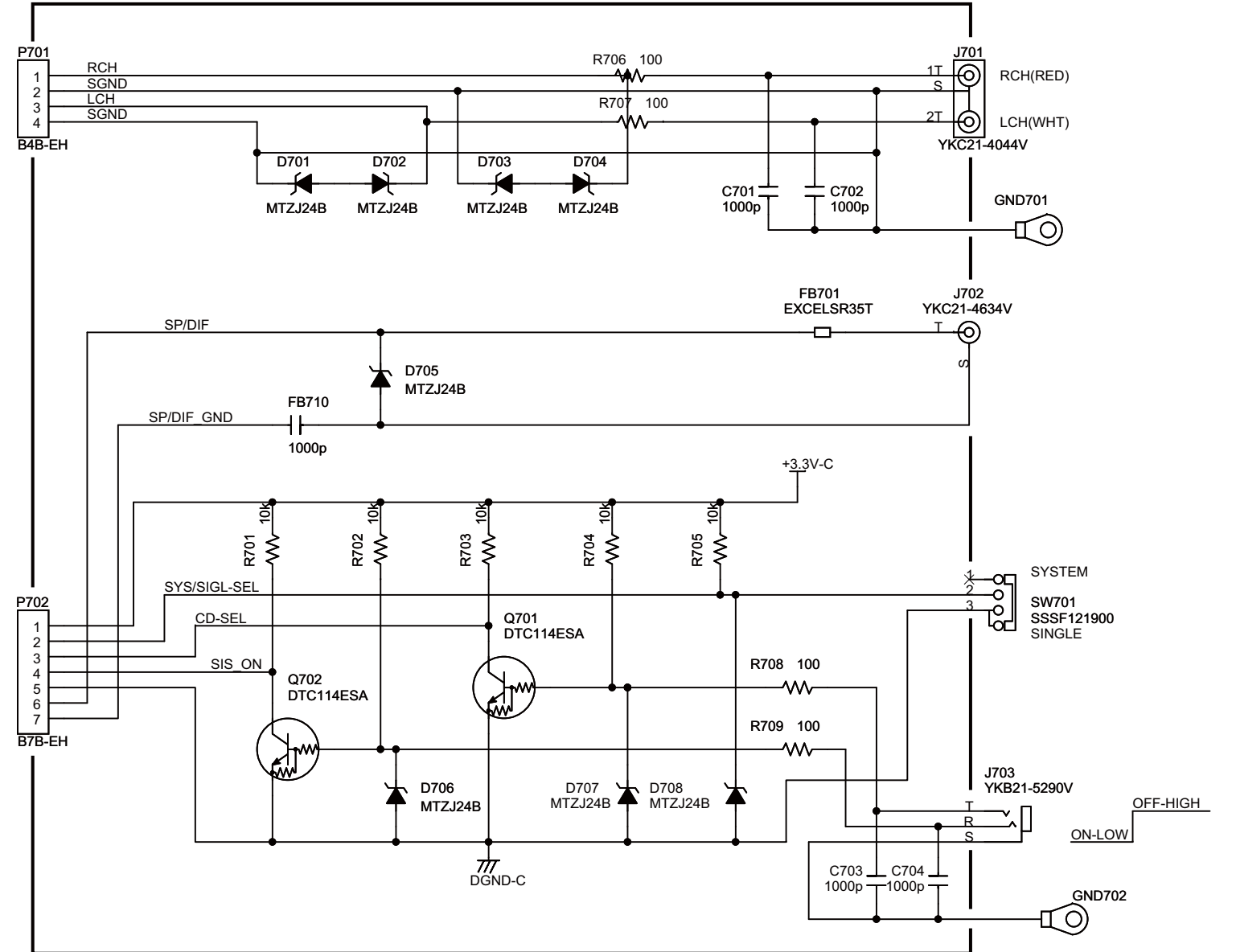
KEY-L PCB



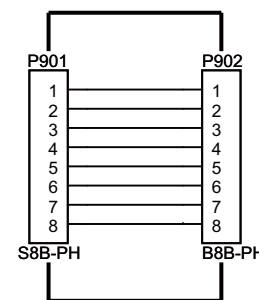
KEY-R PCB



IO PCB



F/W-UD PCB



POWER SW PCB

